

5-2610MHz SMATV SPLITTER

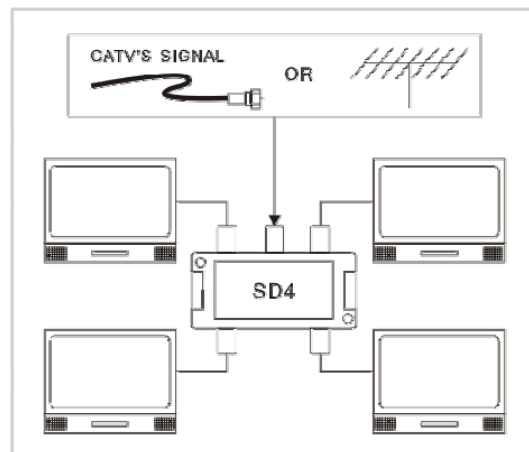
The **PDx** series are all ports power passing model splitter which can split RF signal, from HF, FM, VHF, UHF, to satellite - IF.

The **SDx** series are one ports power passing model which can split RF signal, from HF, FM, VHF, UHF, to satellite - IF.

The power (plus voltage) passing direction is from OUT port to IN port and DC drop voltage is about 0.7V.

Features:

- SMATV Full Band 5-2610MHz
- Zinc Die-cast High Shielding Case
- Built-in rectifier diode



Model	Description	Impedance In/Out	Frequency Range (MHz)	Insertion Loss (dB)	Return Loss (dB)	Isolation Out-Out (dB)
PD2 (SD2)	2-WAY 5-2610 MHz SPLITTER	75ohms	5-30	6.0	10	18
			30-222	5.0	12	21
			222-770	6.0	16	21
			770-1336	7.0	18	23
			1336-2150	8.0	14	22
2150-2610	9.0	10	20			
PD3 (SD3)	3-WAY 5-2610 MHz SPLITTER	75ohms	5-30	10.0	8	20
			30-222	9.0	10	21
			222-770	9.5	10	23
			770-1336	10.0	13	25
			1336-2150	11.5	12	23
2150-2610	12.5	10	21			
PD4 (SD4)	4-WAY 5-2610 MHz SPLITTER	75ohms	5-30	11.0	7	20
			30-222	10.0	10	23
			222-770	10.0	10	25
			770-1336	10.5	12	20
			1336-2150	12.0	14	18
2150-2610	13.5	12	15			
PD5 (SD5)	5-WAY 5-2610 MHz SPLITTER	75ohms	5-30	13.5	6	20
			30-222	11.5	10	20
			222-770	12.0	12	20
			770-1336	13.0	14	17
			1336-2150	15.0	12	16
2150-2610	17.0	9	16			
PD6 (SD6)	6-WAY 5-2610 MHz SPLITTER	75ohms	5-30	14.5	6	20
			30-222	13.5	10	28
			222-770	14.0	10	26
			770-1336	15.0	13	22
			1336-2150	17.0	12	20
2150-2610	18.5	14	20			
PD8 (SD8)	8-WAY 5-2610 MHz SPLITTER	75ohms	5-30	16.0	6	20
			30-222	13.5	10	23
			222-770	14.0	10	20
			770-1336	15.0	11	20
			1336-2150	17.5	11	20
2150-2610	19.0	10	20			

PDx for All Port Power Passing

SDx for One Port Power Passing