

# RF Distribution System Series: Master Amplifier

**Characteristics:** 8 Way Distribution Amplifier

**Model No.:** MA-58

## I. INTRODUCTION

MA-58 is Master Amplifier for Residential Home Use with Remote control extenders. It ownsan 8-output amplified splitter with a built-in combiner for Sat, UHF, VHF, FM and Modulated signals.

It allows IR signals to pass through the modulator input to the TV outputs, making it a perfect match for the emitter/transmitter, target/receiver.

## II. FEATURES

- Inputs for LNB, FM, UHF and VHF
- Supports 1 Modulator input.
- 8 Amplified output :10dB
- Allows IR through Modulator input port.
- Easy installation

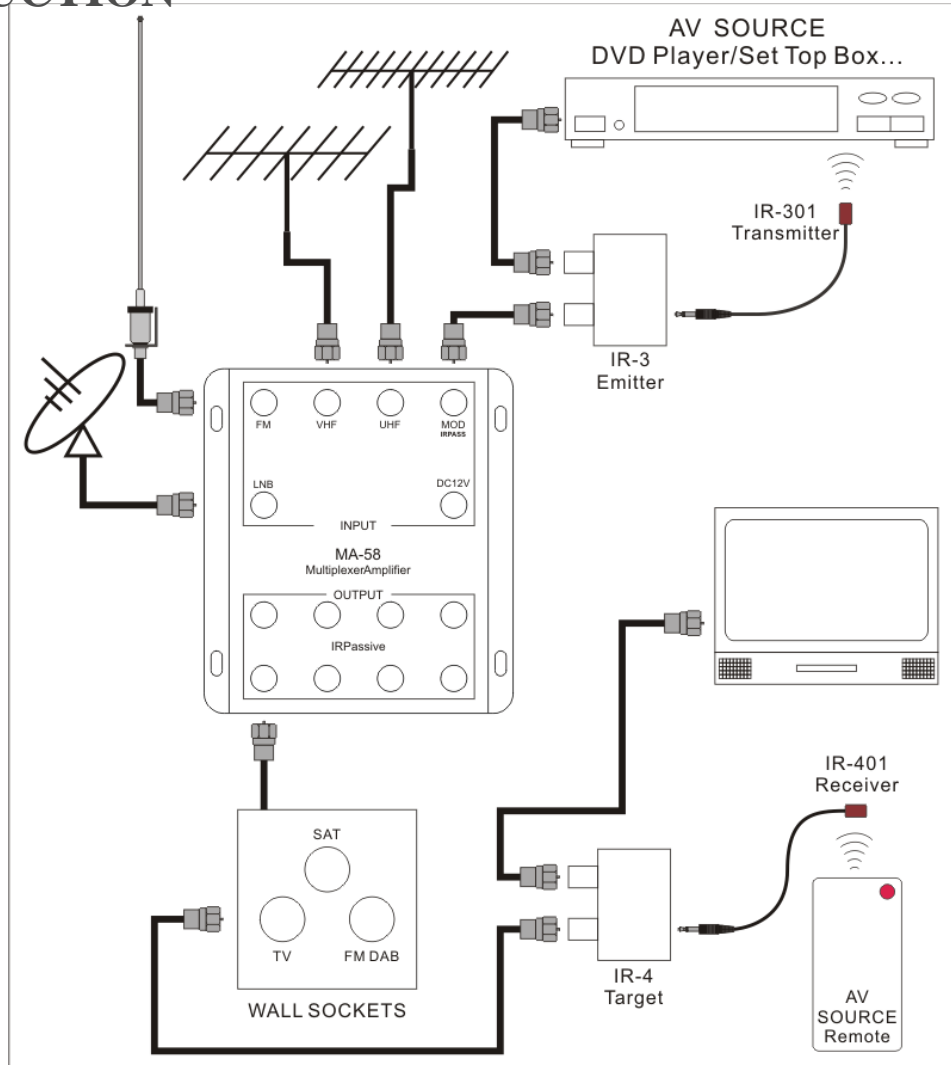
### III: Specification

MA-58 8way Multiplexer Distribution Amplifier with IR Passive					
Inputs	FM In	VHF In	UHF In	SAT LNB In	MOD In
Operating Frequency Range	88~108 MHz	174~230 MHz	470~860 MHz	950~2250 MHz	470~860 MHz
Gain to Distribution Outputs 1~8	10 dB Gain	10 dB Gain	10 dB Gain	10 dB Gain	10 dB Gain
Infra-red Control Compatibility	No	No	No	No	Yes
	All outputs are IR enabled (Suit for Oarsman IR-3 and Oarsman IR-4 systems)				
Band to Band Rejection	$\geq 40$ dB				
Output to Output Rejection	$\geq 20$ dB				
<b>General</b>					
Connectors and Impedance	F-Type (female) 75ohm				
Power Requirement	DC12V 500 mA Adapter				
Operating Temperature Range	-10~+40° C				
Dimensions	124(W) x 138(D) x 38(H) mm				

### V. DRAWING



## V. INSTRUCTION



## VI. Guaranty

- OARSMAN comes with 1-year guaranty on OARSMAN products.
- OARSMAN guarantee to provide for repair and replacement without any charge during this period.
- OARSMAN reserves the right in its sole discretion to determine the defects received, and will take the responsibility if there is any defect or damages.

Notice: **OARSMAN is not responsible for following situation:**

- Damages caused by improper handling from clients, such as the shipping period or carrying processes.
- Damages caused by either natural disaster or human factors after receiving the products.
- Damage caused by self-repairs, and modifications or disassembling of OARSMAN products from clients without prior notice.

## VII. Warning

### TO **AVOID** THE RISK OF FIRE, ELECTRIC SHOCK OR PRODUCT DAMAGE:

- Do **Not** Expose This Apparatus to Water, Moisture, and Dripping; Plus, Avoid to Splashing, Placing objects which Filled with Liquids, Such as Vases
- Do **Not** Install or Place This Unit in a Bookcase, Built-in Cabinet or in Another Confined Space. Ensure The Unit Is Well Ventilated.
- Preventing Risk of Electric Shock or Fire Hazard, Due to Overheating
- Do **Not** Obstruct The Unit's Ventilation, Such as Newspapers, Tablecloths, Curtains, or Similar Items.
- Do **Not** Install Near any Heat Sources Such as Radiators, Heat Registers, Stoves, or Other Apparatus (Including Amplifiers) That Produce Heat.
- Do **Not** Place Sources of Naked Flames, Such as Lighted Candles on The Unit.
- Clean This Apparatus Only with Dry Cloth.
- Unplug This Apparatus During Lighting Storms or When Unused for Long Periods of Time.
- Protect The Power Cord from Being Walked On or Pinched Particularly at Plugs.
- Only Use Attachments / Accessories Specified by The Original Manufacturer
- Refer All Servicing to Qualified Service Personnel.
- Clean this unit with a soft, dry cloth. Never use alcohol, paint thinner or benzene to clean this unit.**

Notice:

**OARSMAN ELECTRONICS CO., LTD Reserves The Right To Revise Specification, Adjust Product Function, and Any Accompanying Documentation without Written Notice in Advance.**