

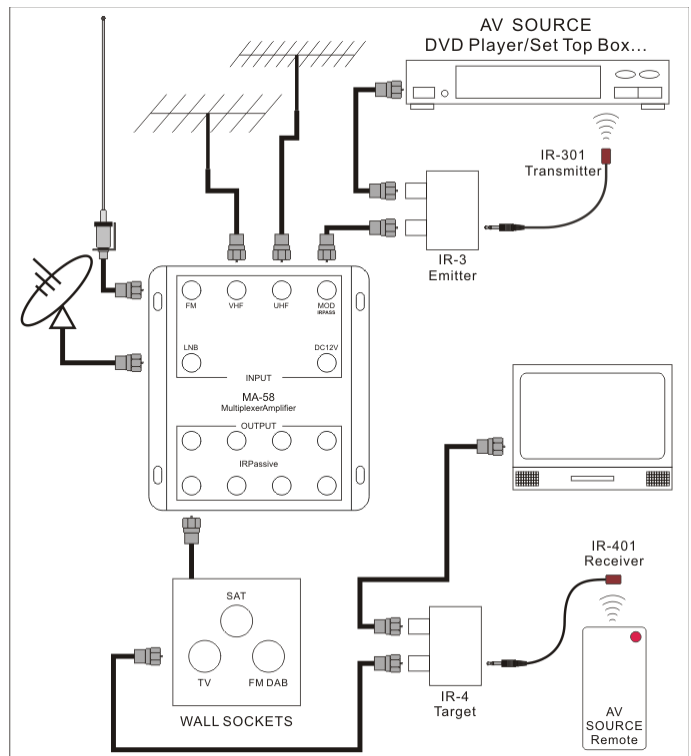
IR over Coax system

The IR-3 and IR-4 Series can trough IR Signal between any IR Passive Series Equipments in the Cable via AV Sources Remote Control Directly.

It will help user to Select channel / program, or radio easily.

Features

- It is suitable to work in TV network system, RF Broadcasting.
- The signal is able to through via splitter/tap.
- It is able to work with the other IR amplifier.
- Easy Installation.



Specifications	IR Emitter / Transmitter			IR Target / Receiver	
	IR-3	IR-301	IR-302	IR-4	IR-401
ITEM	IR-3	IR-301	IR-302	IR-4	IR-401
Frequency	35~41KHz	35~41KHz	35~41KHz	35~41KHz	35~41KHz
Output ports	1	1	2	1	1
Cable Length	-	3M	3M	-	3M
Insertion Loss	1.5dB@860MHz 3dB@2.3GHz	-	-	1.5dB@860MHz	-
Sensitivity	-90dBm	-	-	-80dBm	-
Power	9V,20mA	-	-	9V,10mA	-
Operation Temperature	0°C ~ +50°C	0°C ~ +50°C	0°C ~ +50°C	0°C ~ +50°C	0°C ~ +50°C