

HDMI Series: Splitter

Characteristics: 1 In 4 Out Distribution Amplifier

Model No.: HD-104E

I. INTRODUCTION

The HD-104E is 1 (input) x 4 (output) HDMI splitter. It distributes the HDMI input into 4 identical outputs. These 8 outputs are synchronized.

HD-104E has the ability of buffering and amplifying. Each HD-104E unit's output can achieve long distance transmission of HDMI signal up to 15 meters.

When two or more HD-104Es are cascaded, they can be used to create a larger distribution and longer length.

HD-104E offers solutions for HDTV retail and show site, **HDTV, STB, DVD** and Projector factory, noise, space and security concerns, data center control, information distribution, conference room presentation, school and corporate training environments.

II. FEATURES

- Install in seconds fastly, no need for setting
- Distribution: 8 identical HDMI outputs
- Cascaded: Large distribution achieved by cascading HD-104E

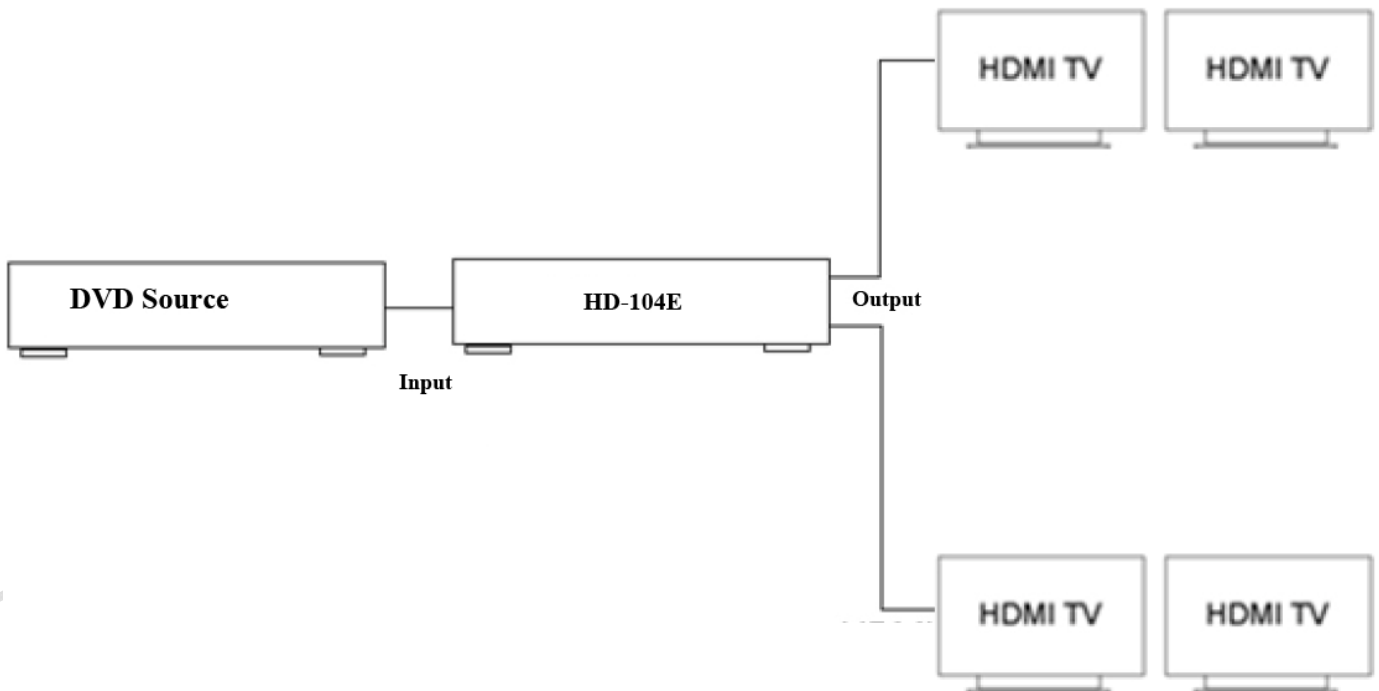
III: Specification

Model Number	HD-104E
Characteristics	1 In 4 Out Distribution Amplifier
Operating temperature range	0 to +70°C
Operating humidity range	5 to 90 % RH (no condensation)
Video Amplifier Bandwidth	2.5 Gbps/250 MHz
Input Video Signal	0.5-1.0 volts p-p
Input DDC Signal	5 volts p-p (TTL)
Maximum Single Link Range	1920 x 1200, 1080P
VGA	640x480,800x600,1024x768,1920x1200
DTV/HDTV	480i/576i/480p/576p/720p/1080i/1080P
Output Video	HDMI / HDCP: 1.3b.1.2, 1.1
Power Consumption	15 Watts (max.)
Power Supply	5VDC@2A
Dimensions	270mm (L) * 182mm (W) * 50mm (H)
Net Weight	About 1.8 KG

IV. DRAWING



V. INSTRUCTION



1. Connect HDMI cable to HD-104E input from HD DVD source.
2. Connect HDMI cables as your need to HD-104E output from HDTV source (s).
3. Please turn on the power when you operate.

VI. Guaranty

- OARSMAN comes with 1-year guaranty on OARSMAN products.
- OARSMAN guarantee to provide for repair and replacement without any charge during this period.
- OARSMAN reserves the right in its sole discretion to determine the defects received, and will take the responsibility if there is any defect or damages.

Notice: **OARSMAN is not responsible for following situation:**

- Damages caused by improper handling from clients, such as the shipping period or carrying processes.
- Damages caused by either natural disaster or human factors after receiving the products.
- Damage caused by self-repairs, and modifications or disassembling of OARSMAN products from clients without prior notice.

VII. Warning

TO AVOID THE RISK OF FIRE, ELECTRIC SHOCK OR PRODUCT DAMAGE:

- Do **Not** Expose This Apparatus to Water, Moisture, and Dripping; Plus, Avoid to Splashing, Placing objects which Filled with Liquids, Such as Vases
- Do **Not** Install or Place This Unit in a Bookcase, Built-in Cabinet or in Another Confined Space. Ensure The Unit Is Well Ventilated.
- Preventing Risk of Electric Shock or Fire Hazard, Due to Overheating
- Do **Not** Obstruct The Unit's Ventilation, Such as Newspapers, Tablecloths, Curtains, or Similar Items.
- Do **Not** Install Near any Heat Sources Such as Radiators, Heat Registers, Stoves, or Other Apparatus (Including Amplifiers) That Produce Heat.
- Do **Not** Place Sources of Naked Flames, Such as Lighted Candles on The Unit.
- Clean This Apparatus Only with Dry Cloth.
- Unplug This Apparatus During Lighting Storms or When Unused for Long Periods of Time.
- Protect The Power Cord from Being Walked On or Pinched Particularly at Plugs.
- Only Use Attachments / Accessories Specified by The Original Manufacturer

□ Refer All Servicing to Qualified Service Personnel.

□ Clean this unit with a soft, dry cloth. Never use alcohol, paint thinner or benzene to clean this unit.

Notice:

OARSMAN ELECTRONICS CO., LTD Reserves The Right To Revise Specification, Adjust Product Function, and Any Accompanying Documentation without Written Notice in Advance.

Oarsman Electronics